

**Recordall®  
Compound Meter**

**Sizes 2", 3", 4" and 6"**

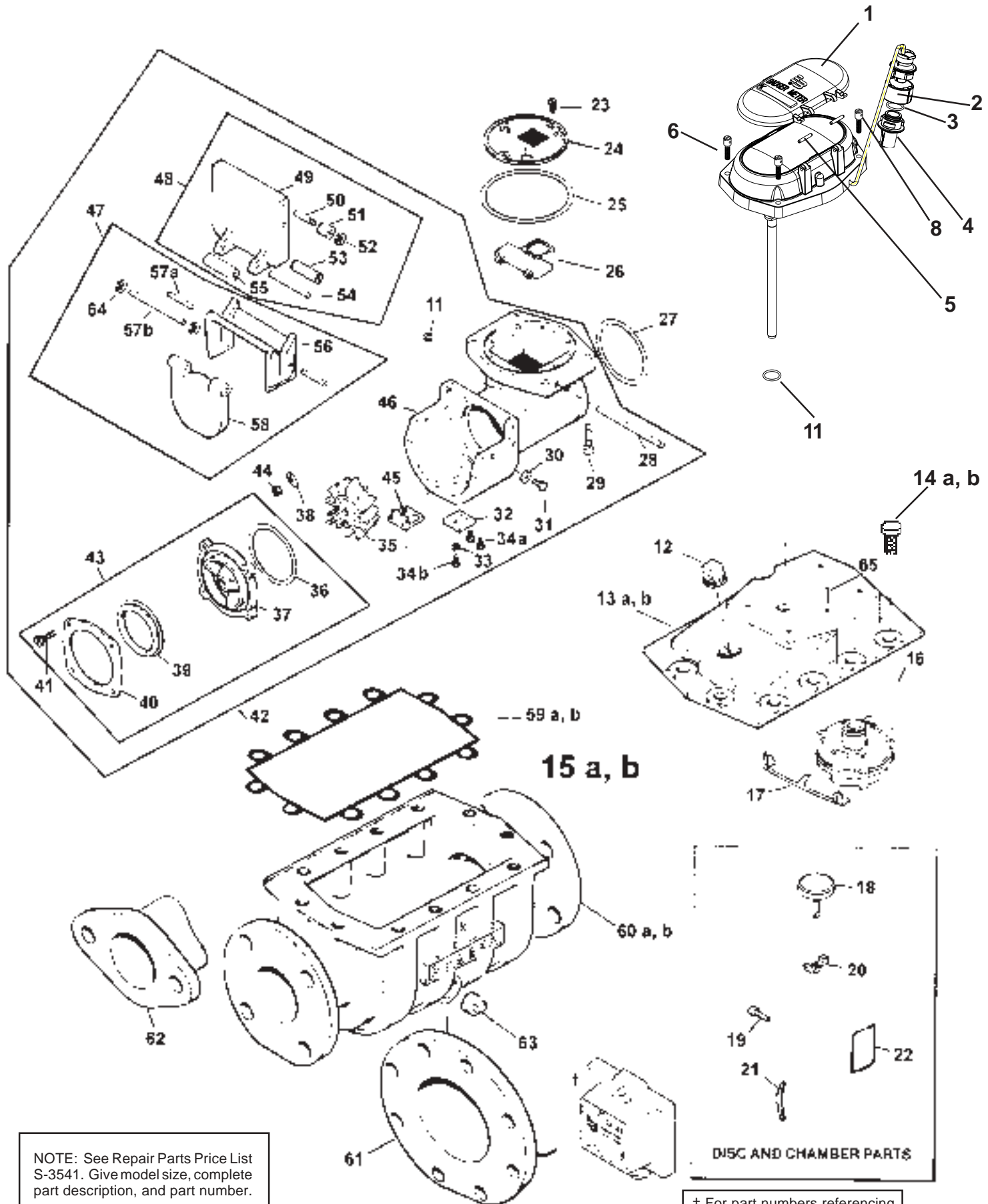
**Repair  
Parts**



2" Compound Meter



# Badger Meter Recordall Compound Meter



NOTE: See Repair Parts Price List S-3541. Give model size, complete part description, and part number.

† For part numbers referencing Read-O-Matic® Systems, see Bulletin ROM-S-60.

# Parts List Sizes 2", 3", 4" and 6"

Item No.	Name of Part	Part Numbers			
		2"	3"	4"	6"
1	Register Cover (Plastic) .....	63340-001	63340-001	63340-001	63340-001
1	Register Cover (Bronze) .....	63496-001	63496-001	63496-001	63496-001
2	Lock Band .....	63413-001	63413-001	63413-001	63413-001
3	O-Ring .....	55300-016	55300-016	55300-016	55300-016
4	Blind Connector .....	63568-001	63568-001	63568-001	63568-001
5	Hinge Pins SST. 2 Required .....	59568-003	59568-003	59568-003	59568-003
6	Seal Screw, 2 Required .....	58321-001	58321-001	58321-001	58321-001
8	Screw, Filister Hd. Machine (with Summator) 2 Required .....	55048-226	55048-226	55048-226	55048-226
	(without Summator) 2 Required .....	55048-225	55048-225	55048-255	55048-225
11	O-Ring .....	55300-014	55300-014	55300-014	55300-014
12	Pipe Plug, Test Tee .....	33879-004	33879-004	33879-004	33879-004
13a	Head Only (For 2"/3" pre-April 1995 only) .....	56363-001	56363-001	57325-001	57325-001
13b	Head Only (For 2"/3" after April 1995 only) .....	62547-001	62547-001	-----	-----
14a	Bolt, Housing (For 2"/3" pre-April 1995 only) .....	55030-279	55030-279	55030-281	55030-281
14b	Bolt, Housing (For 2"/3" after April 1995 only) .....	55031-116	55031-116	-----	-----
15a	Head Assy., Comp., Less Registration .....				
	(For 2"/3" pre-April 1995 only) .....	56392-001	56392-001	56392-002	56392-002
15b	Head Assy., Comp., Less Registration .....				
	(For 2"/3" after April 1995 only) .....	62711-001	62711-001	-----	-----
16	Chamber and Disc Assembly Comp. w/Strap .....	33334-018	33334-018	33334-030	33334-030
17	Retaining Strap, Chamber .....	56270-001	56270-001	56270-001	56270-001
18	LDP Spindle and Magnet Assy. ....	33344-000	33344-000	59895-001	59895-001
19	Thrust Roller, Plastic .....	58965-001	58965-001	58965-003	58965-003
20	Cross Bar (LDP) .....	32711-000	32711-000	32166-000	32166-000
21	Dovetail Insert, Thrust Roller .....	33342-000	33342-000	33758-000	33758-000
22	"O" Ring, Chamber Outlet Port Seal .....	55300-027	55300-027	22650-040	22650-040
23	Screw, Cover Plate-to-Cage .....	55090-171	55090-171	55090-171	55090-171
24	Cover Plate and Chamber Screen .....	56382-001	56382-001	57371-001	57371-001
25	"O" Ring, Head-to-Cage Seal .....	55300-344	55300-344	55300-356	55300-356
26	Single Trigger, (Replaces other dual triggers) .....	62463-001	62463-001	62558-001	62558-001
27	"O" Ring, Cage Inlet Seal .....	55300-340	55300-340	55300-351	55300-351
28	Pin, Trigger Hinge .....	56377-001	56377-001	56377-005	56377-005
29	Screw, Head-to-Cage .....	24367-005	24367-005	55031-035	55031-035
30	Washer .....	24991-043	24991-043	55262-011	55262-011
31	Bolt, Guide-to-Cage .....	55030-083	55030-083	55031-004	55031-004
32	Support Plate Lock .....	63071-001	63071-001	63071-001	63071-001
33	Lockwasher, Support Plate (Qty. 3 per Assembly) .....	55274-011	55274-011	55274-011	55274-011
34a	Bolt, Support (3 for 2"/3", 2 Short for 4"/6") .....	55031-004	55031-004	55031-004	55031-004
34b	Bolt, Support (1 Long for 4"/6", Rear Position) .....	-----	-----	55031-006	55031-006
35	Rotor & Spindle Assy., w/Bearings, Comp. ....	56998-058	56998-058	56998-059	56998-059
36	Rotor Support Seal .....	55300-151	55300-151	55300-248	55300-248
37	Rotor Support Only .....	56369-001	56369-001	58172-001	58172-001
38	Lockwasher, Spindle .....	55283-008	55283-008	55283-011	55283-011
39	Main Valve Seal Ring (2"/3" - Fused to Plate Seal Ring) .....	62103-001	62103-001	57357-001	57357-001
40	Plate, Seal Ring (Required on 4"/6" only) .....	-----	-----	57364-001	57364-001
41	Seal Ring Screw .....	55090-225	55090-225	55031-006	55031-006
42	Cage Assy., Comp., w/Rotor & Main Valve Seal .....	56391-001	56391-001	56391-002	56391-002
43	Rotor Support Assy. ....	59352-001	59352-001	59352-002	59352-002
44	Nut, Bearing Spindle .....	55006-035	55006-035	55007-028	55007-028
45	Lock, Swing Weight .....	56368-001	56368-001	57360-001	57360-001
46	Meter Cage Only .....	56381-001	56381-001	57382-001	57382-001

Item No.	Name of Part	Part Numbers			
		2"	3"	4"	6"
47	Guide and High Flow Valve Assy. ....	56389-001	56389-001	56389-002	56389-002
48	Swing Weight - High Flow, Assy. ....	56387-001	56387-001	56387-002	56387-002
49	Swing Weight, Main Valve .....	59935-001	59935-001	62296-001	62296-001
50	Spindle, Roller, Upper Swing Weight (4 per meter) .....	56377-002	56377-002	56377-002	56377-002
51	Roller, Upper Swing Weight (4 per meter) .....	56380-002	56380-002	56380-005	56380-005
52	E-Ring, Upper Roller (4 per meter) .....	22570-006	22570-006	22570-006	22570-006
53	Roller, Swing Weight, Against Valve .....	56380-003	56380-003	56380-004	56380-004
54	Shaft, Lower Swing Weight (2 per meter) .....	56377-003	56377-003	56377-003	56377-003
55	Roller, Swing Weight, Lower Lock .....	56380-001	56380-001	56380-003	56380-003
56	Guide, Swing Weight .....	56366-001	56366-001	62520-001	62520-001
57a	Shaft, High Flow Valve (4"/6" only) (2 required) .....	-----	-----	63072-001	63072-001
57b	Shaft, High Flow Valve (With Item 64, on 2"/3" meters, replaces older dual pins) .....	62524-001	62524-001	-----	-----
58	Valve, High Flow Swing Seal .....	56379-001	56379-001	57395-001	57395-001
59a	Gasket Housing (For 2"/3" pre-April 1995 only) .....	56386-001	56386-001	57367-001	57367-001
59b	Gasket Housing (For 2"/3" after April 1995 only) .....	62645-001	62645-001	-----	-----
60a	Housing, Round .....	-----	-----	57323-001	-----
60b	Housing, Round, Single Drain Plug Version (For 2"/3" after April 1995 only) .....	62546-001	62536-001	-----	-----
61	Housing, Round (6" only) .....	-----	-----	-----	58613-001
62	Housing, Elliptical, Single Drain Plug Version (For 2" after April 1995 only) .....	62546-003	-----	-----	-----
63	Plug, Drain and Flush .....	14693-000	14693-000	14693-000	14693-000
64	E-Rings (For 2"/3" Single Pin) .....	22570-022	22570-022	-----	-----
65	Register Detent Pin .....	24863-009	24863-009	24863-009	24863-009
—	Cap for Lifting Lug Thread Hole (2"/3" only) (Not Shown) .....	56423-014	56423-014	-----	-----
—	Eye Bolt (For 2"/3" After April 1995 only) (Not Shown) .....	62736-001	62736-001	-----	-----
—	Silicone Grease for Chamber Outlet Port Seal .....	-----	-----	-----	-----
—	Dummy Cover (Not Shown) (For 2"/3" After April 1995 only) .....	62987-001	62987-001	-----	-----

NOTE: For prices, see Repair Parts List S-3541. When ordering, give model, size, complete part description and part number.



Please see our website at  
[www.badgermeter.com](http://www.badgermeter.com)  
for specific contacts.

Due to continuous research, product improvements and enhancements, Badger Meter reserves the right to change product or system specifications without notice, except to the extent an outstanding bid obligation exists.



**BadgerMeter, Inc.**

P.O. Box 245036, Milwaukee, WI 53224-9536  
(800) 876-3837 / Fax: (888) 371-5982

[www.badgermeter.com](http://www.badgermeter.com)